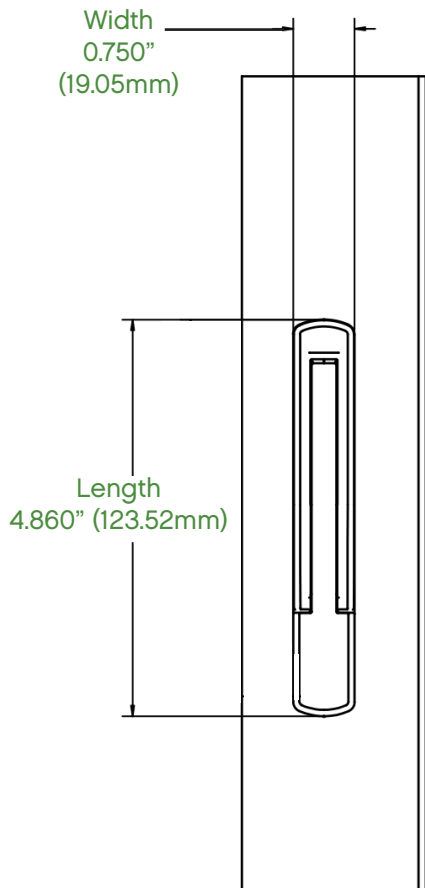
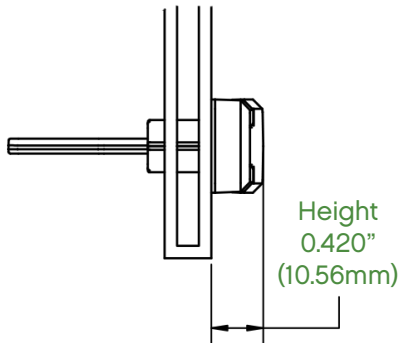


## RESIDENTIAL PRODUCTS: CASEMENT & AWNING WINDOW PRODUCTS

AT0003-0616



### Product Name: Maxim® LP™

### Product Applications

- Low profile lock for casement & awning windows
- Length (top to bottom of handle) 4.860"
- Width 0.750"
- Height (extending into the home) 0.420"

### Material

- Zinc die-cast

### Twenty Seven Finishes

- Antique Brass, Faux Bronze, Black, Aluminum, Bronze, Coppertone, plus 21 more finishes available

### Compatible Window Materials

- Vinyl, composite, or aluminum

### Part Numbers & Quantities

Description	Part Number	# / carton
Lock, Maxim LP Sgl Pt	24.40.xx.001	50
Lock, Maxim LP Mid	24.42.xx.001	50
Lock, Maxim LP Long	24.43.xx.001	50
Support Plate (need one per lock)	33823	50

\*xx denotes finish code

\*\* Please contact your AmesburyTruth sales representative for assistance if your current process uses a step cut application